

Item description/product images



Description

Material:

1.1141 steel, 1.4301 stainless steel or 1.4401 stainless steel.

Version:

Drop forged.
Steel, bright.
Steel electro zinc-plated.

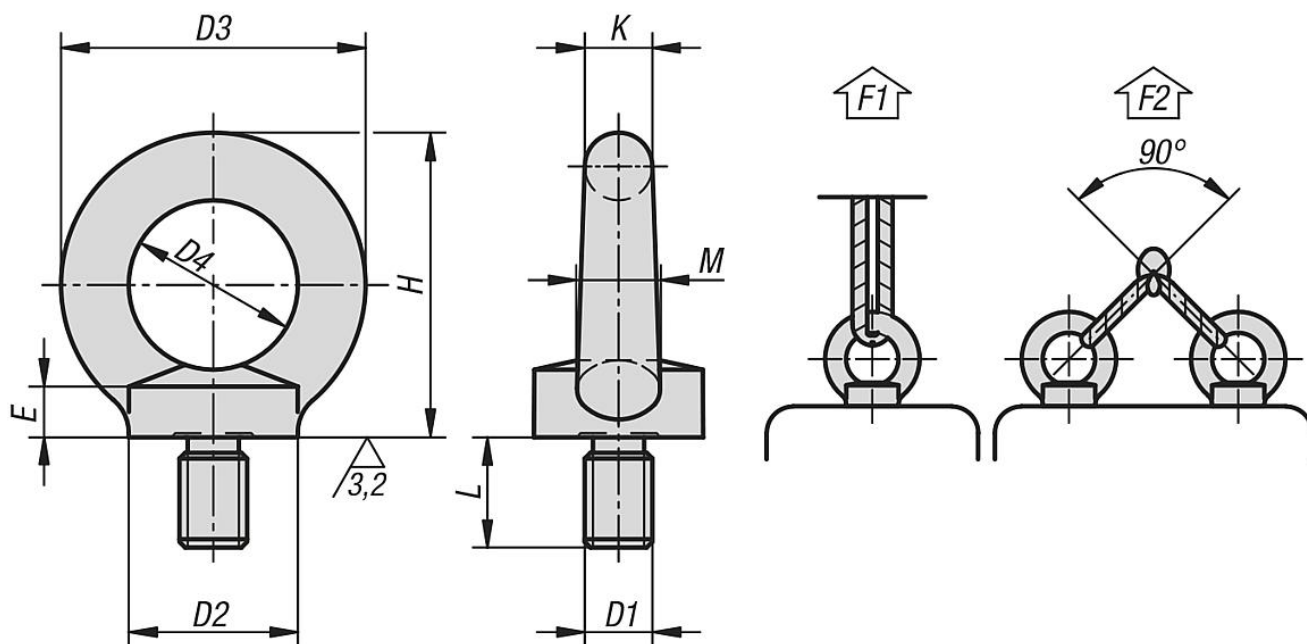
Note:

For high demand hoisting and carrying tasks in safety-relevant areas (machine construction, load handling equipment, lifting tackle).
The CE mark is impressed into the ring bolt.
F2 permissible load under max. 45° per ring bolt.

On request:

Certificate of conformity.

Drawings



Overview of items

Ring bolts DIN 580

Order No.	Main material	Steel code	Surface finish body	D1	L	D2	D3	D4	E	H	K	M	F1 max. kN	F2 max. kN
07680-08	steel	1.1141	bright	M8	13	20	36	20	6	36	8	10	1,4	0,95
07680-10	steel	1.1141	bright	M10	17	25	45	25	8	45	10	12	2,3	1,7
07680-12	steel	1.1141	bright	M12	20,5	30	54	30	10	53	12	14	3,4	2,4
07680-16	steel	1.1141	bright	M16	27	35	63	35	12	62	14	16	7	5
07680-20	steel	1.1141	bright	M20	30	40	72	40	14	71	16	19	12	8,3
07680-24	steel	1.1141	bright	M24	36	50	90	50	18	90	20	24	18	12,7
07680-008	steel	1.1141	galvanised	M8	13	20	36	20	6	36	8	10	1,4	0,95
07680-010	steel	1.1141	galvanised	M10	17	25	45	25	8	45	10	12	2,3	1,7

Overview of items

Order No.	Main material	Steel code	Surface finish body	D1	L	D2	D3	D4	E	H	K	M	F1 max. kN	F2 max. kN
07680-012	steel	1.1141	galvanised	M12	20,5	30	54	30	10	53	12	14	3,4	2,4
07680-016	steel	1.1141	galvanised	M16	27	35	63	35	12	62	14	16	7	5
07680-020	steel	1.1141	galvanised	M20	30	40	72	40	14	71	16	19	12	8,3
07680-024	steel	1.1141	galvanised	M24	36	50	90	50	18	90	20	24	18	12,7
07680-108	stainless steel	1.4301	-	M8	13	20	36	20	6	36	8	10	1,4	0,95
07680-110	stainless steel	1.4301	-	M10	17	25	45	25	8	45	10	12	2,3	1,7
07680-112	stainless steel	1.4301	-	M12	20,5	30	54	30	10	53	12	14	3,4	2,4
07680-116	stainless steel	1.4301	-	M16	27	35	63	35	12	62	14	16	7	5
07680-124	stainless steel	1.4301	-	M24	36	50	90	50	18	90	20	24	18	12,7
07680-120	stainless steel	1.4301	-	M20	30	40	72	40	14	71	16	19	12	8,3
07680-208	stainless steel	1.4401	-	M8	13	20	36	20	6	36	8	10	1,4	0,95
07680-210	stainless steel	1.4401	-	M10	17	25	45	25	8	45	10	12	2,3	1,7
07680-212	stainless steel	1.4401	-	M12	20,5	30	54	30	10	53	12	14	3,4	2,4
07680-216	stainless steel	1.4401	-	M16	27	35	63	35	12	62	14	16	7	5
07680-220	stainless steel	1.4401	-	M20	30	40	72	40	14	71	16	19	12	8,3
07680-224	stainless steel	1.4401	-	M24	36	50	90	50	18	90	20	24	18	12,7