

Item description/product images



Description

Material:

Steel or stainless steel 1.4310.

Version:

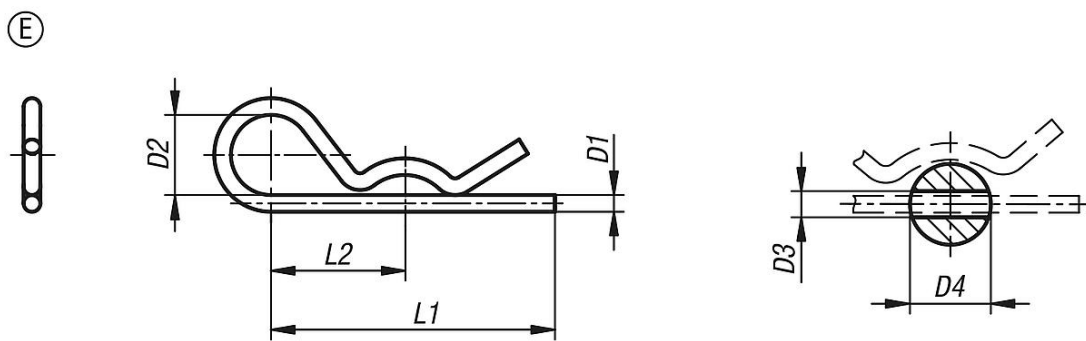
Steel electro zinc-plated.

Stainless steel bright.

Note:

R-clips are used for securing bolts and axles. They are easy to install and can be reused. The ends have no sharp edges.

Drawings



Overview of items

Order No.	Form	Main material	D1	D2	D3	D4=for screw \emptyset	L1	L2
07337-11200	E	steel	2	10	2,5	9-14	50	25
07337-11300	E	steel	3	18	3,5	10-16	60	28
07337-11400	E	steel	4	20	4,5	16-20	60	30
07337-11500	E	steel	5	24	6	20-28	85	40
07337-11600	E	steel	6	30	7	28-40	105	50
07337-11700	E	steel	7	30	8	28-45	105	50
07337-21200	E	stainless steel	2	10	2,5	7-8	40	25
07337-21250	E	stainless steel	2,5	11	3	10-16	46	24
07337-21300	E	stainless steel	3	16	3,5	16-18	60	34
07337-21400	E	stainless steel	4	19	4,5	18-20	64	36
07337-21500	E	stainless steel	5	26	6	20-28	82	45
07337-21600	E	stainless steel	6	30	7	28-40	110	60