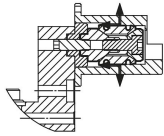
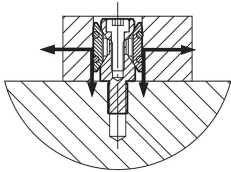


## Item description/product images

**Description****Material:**

Body steel.

Bushes carbon steel.

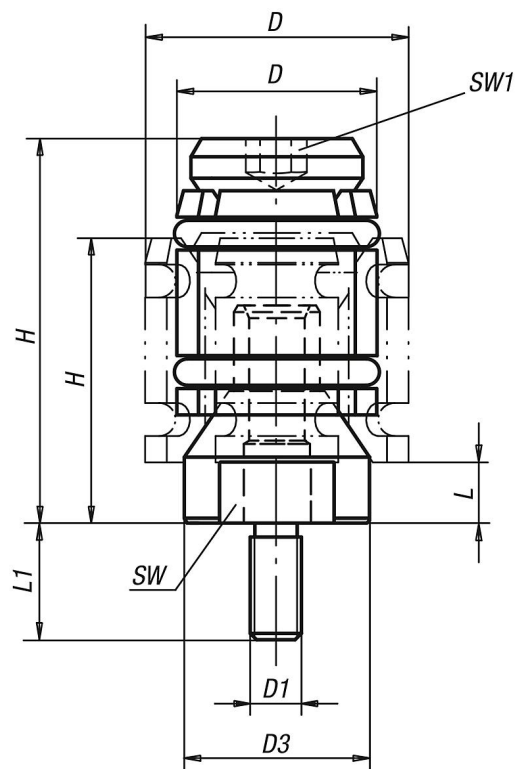
**Version:**

Black oxidised.

**Note:**

These centring clamps allow workpieces to be centred on and clamped in a bore. The clamps have a wide expansion range. The series covers a bore range of  $\varnothing 12$  to  $\varnothing 30$  mm. For M6 grid systems use the centring clamps with internal thread.

## Drawings



## Overview of items

Order No.	Thread type	D	D1	L1	D min.	D3	H min.	H max.	L min.	SW	SW1	Clamping force max. kN	Tightening torque max. Nm
03165-061215	external thread	15	M6	12	12	11,4	22	27,5	4,8	9	2,5	1,5	2,2
03165-061219	external thread	19	M6	12	15	14	24,5	32	4,8	12	4	2,5	6
03165-081624	external thread	24	M8	16	19	17,8	26	35	4,5	15	5	4	10
03165-081630	external thread	30	M8	16	24	23	32	44,5	7	19	5	4,5	10