

## Item description/product images

**Description****Material:**

Clamping joint high-tensile aluminium.  
Hinge pin, support plate and stop bar, steel.

**Version:**

Clamping joint anodised blue and black.  
Hinge pins, support plate and stop bar black oxidised.

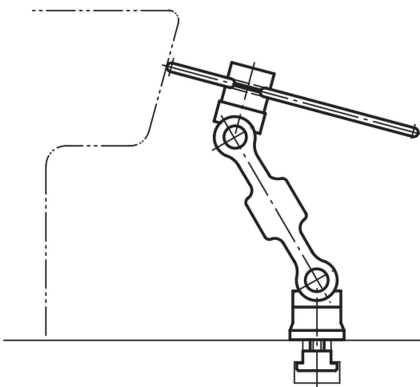
**Note:**

The 5D-swivelling stop serves, among other things, as a versatile instrument for positioning on machining tools or for assembly work. It is infinitely adjustable, quickly and flexibly in 5 axes.

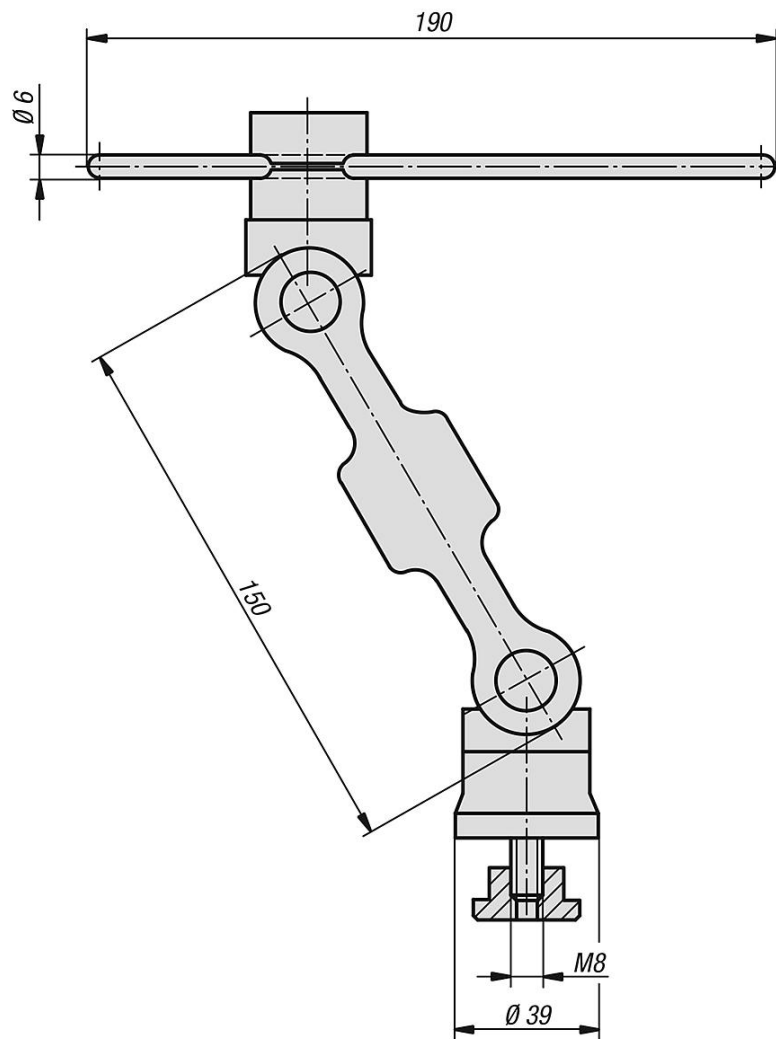
Supplied complete with M8x12 T-slot nut and hex key.

**On request:**

Connecting element for combining several 5D-swivelling stops.



## Drawings



## Overview of items

Order No.	Size
03088-15012	150