

Item description/product images



Description

Material:

Steel.

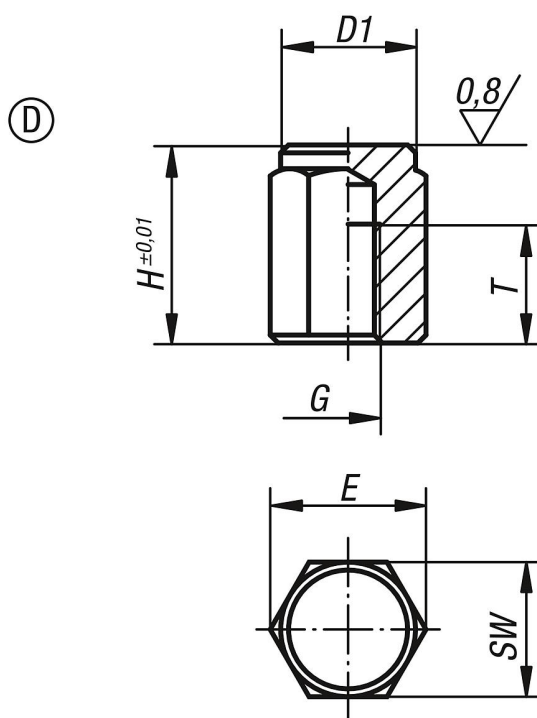
Version:

Case-hardened and black oxidised.

Note:

Positioning feet are used as supports, stops and thrust pads for fixtures and general machine and appliance construction.

Drawings



Overview of items

Order No.	Form	D1	G	H	T	E	SW
02040-410	D	13	M6	10	6	14,4	13
02040-4151	D	13	M6	15	10	14,4	13
02040-4101	D	17	M8	10	6	19,4	17
02040-415	D	17	M8	15	6	19,4	17
02040-4251	D	17	M8	25	16	19,4	17
02040-4201	D	19	M10	20	10	21,1	19
02040-4302	D	19	M10	30	15	21,1	19
02040-4401	D	19	M10	40	15	21,1	19
02040-420	D	22	M12	20	10	25,2	22
02040-425	D	22	M12	25	15	25,2	22

Overview of items

Order No.	Form	D1	G	H	T	E	SW
02040-430	D	22	M12	30	20	25,2	22
02040-440	D	22	M12	40	25	25,2	22
02040-450	D	22	M12	50	25	25,2	22
02040-4301	D	30	M16	30	20	33	30
02040-4501	D	30	M16	50	25	33	30