



Description

Material:

Body carbon steel.

Ball rust and acid resistant steel.

Insert:

Form M tool steel with carbide serrations.

Version:

Body tempered, black oxidised.

Ball hardened, bright.

Insert:

Form M black oxidised.

Note:

Self-aligning pads are used to support and clamp unmachined and machined workpieces.

They can also be used as stops, supports and thrust pads in fixtures and toolmaking.

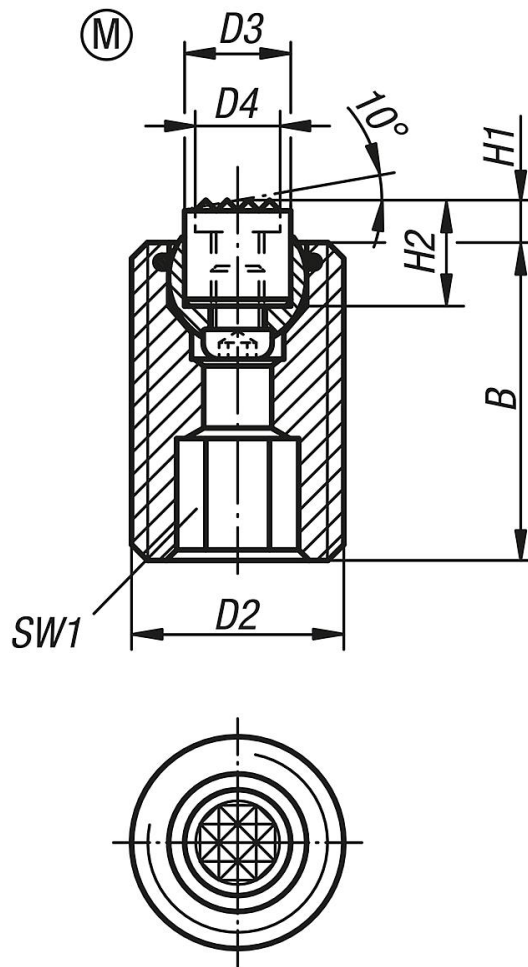
The ball can be removed from the housing by applying light pressure to the socket head screw.

Ball secured against rotation.

Advantages:

Highly cost-effective as inserts can be exchanged.

The built-in O-ring holds the ball in place and keeps dirt and foreign particles out, ensuring uniform movement.



Overview of items

Order No.	Form	B	D2	D3	D4	H1	H2	SW1	Ball-Ø	Load rating max. kN (static load only)	Order No. gripper
02009-920X030	M	30	M20	10	7,9	4	10	10	13	37	07113-10107
02009-920X050	M	50	M20	10	7,9	4	10	10	13	37	07113-10107
02009-920X070	M	70	M20	10	7,9	4	10	10	13	37	07113-10107
02009-924X040	M	40	M24	12	9,5	4	10	10	15	55	07113-12107
02009-924X080	M	80	M24	12	9,5	4	10	10	15	55	07113-12107