



## Description

### Material:

Body carbon steel.

Ball:

Form 0 stainless steel with diamond surface.

### Version:

Body tempered and black oxidised.

Ball:

Form 0 surface comparable to 100 grade abrasive grit.

### Note:

The self-aligning pads are used to support and clamp unmachined and machined workpieces.

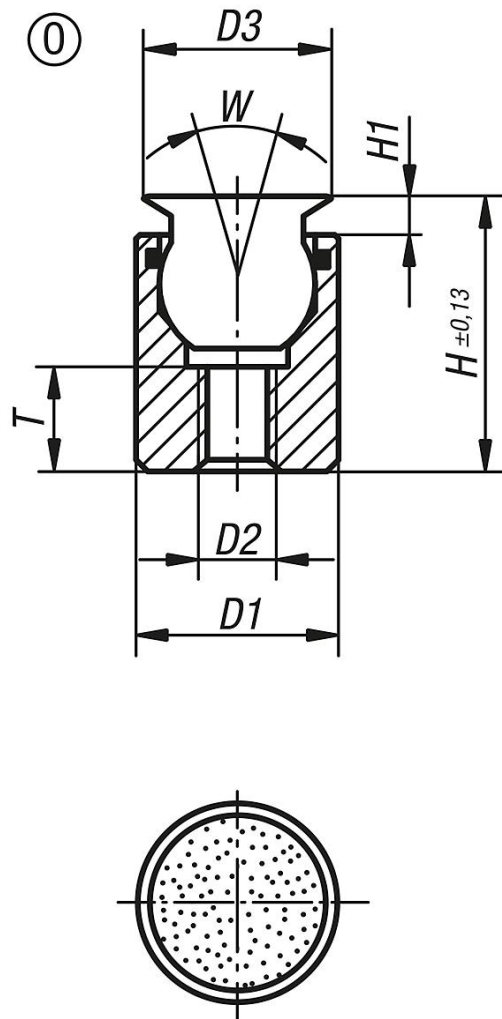
In addition, they serve as stops, supports and pressure pieces in fixtures and toolmaking.

Ball secured against rotation.

Form 0: The abrasive diamond surface is bonded firmly to the ball. It is ideally suited to supporting smooth or slippery applications with a minimum of clamping pressure. This allows the diamond particles to get a firm grip on a very small area with minimum damage to the surface. The diamond surface offers excellent wear resistance.

### Advantages:

The built-in O-ring holds the ball in place and keeps dirt and foreign particles out ensuring smooth and even movement.



Overview of items

Order No.	Form	D1	D2	D3	H	H1	T	W	Ball-Ø	Load rating max. kN (static load only)
02002-504X012	0	10	M4	8	12,5	2	3,5	28	7	11,5
02002-504X025	0	10	M4	8	25,5	2	9	28	7	11,5
02002-505X017	0	13	M5	11	17,5	3	6,5	28	10	19,8
02002-505X026	0	13	M5	11	26,5	3	9	28	10	19,8
02002-506X021	0	17	M6	14	21	3	7,5	28	13	27,4
02002-508X024	0	19	M8	19	24	4	8,5	24	15	38,6
02002-510X028	0	24	M10	21	28	4	9	24	20	58,3